

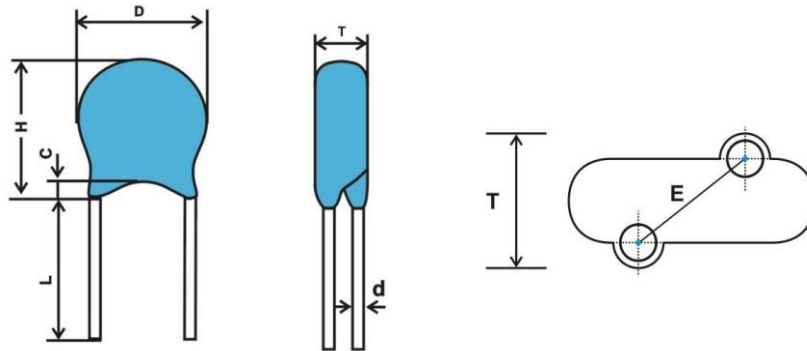
Zinc Oxide Varistors – JVA



SPECIFICATIONS

	Varistor Voltage (Threshold Voltage)	18V ~ 1800V
Working Voltage (Max. Allowable Voltage)	AC(rms)	11VAC ~ 1000VAC
	DC	14VDC ~ 1465VDC
Peak Current for 8/20 μ S Current Wave	General Type	100A ~ 6500A
	Hi-energy Type	250A ~ 10 000A
Energy Range For 10/1000 μ S Current Wave	General Type	0.4J ~ 625J
	Hi-energy Type	0.6J ~ 990J
Operation Ambient Temperature Range		-40 $^{\circ}$ C ~ +85 $^{\circ}$ C
Storage Temperature Range		-55 $^{\circ}$ C ~ +125 $^{\circ}$ C
Insulation Resistance		>1000 M Ω
Hi-Pot (Leads to Coating)		2500 VDC for 1 min.
Typical Response Time		<25ns
Maximum Voltage-Temperature Coefficient		<-0.05% / $^{\circ}$ C

DIMENSION (mm)



SIZE	D max	H max	E \pm 1.0	L min	d \pm 0.1	C max
D07	9.5	12.5	5.0	20	0.6	3.0
D10	12.5	16.0	7.5	20	0.8	3.0
D14	16.5	20.0	7.5	20	0.8	3.0
D20	23.0	26.5	10.0	20	1.0	3.0

Thickness (T) DIMENSION LIST (mm maximum)

Varistor Voltage	07D	10D	14D	20D
180	3.6	4.0	4.1	4.4
220	3.8	4.0	4.3	4.5
270	4.0	4.3	4.5	4.8
330	3.7	4.1	4.2	4.5
390	3.9	4.3	4.4	4.7
470	4.1	4.5	4.6	4.9
560	4.2	4.5	4.7	4.7
680	4.3	5.0	5.0	5.0
820	3.5	3.9	4.0	4.3
101	3.8	4.2	4.3	4.6
121	4.0	4.4	4.5	4.8
151	4.3	4.7	4.8	5.1
181	3.4	3.8	3.9	4.2
201	3.5	3.9	4.0	4.3
221	3.6	4.0	4.1	4.4
241	3.7	4.1	4.2	4.5
271	3.9	4.2	4.3	4.6
301	4.1	4.3	4.4	4.7
331	4.2	4.5	4.6	4.9

Varistor Voltage	07D	10D	14D	20D
361	4.3	4.7	4.8	5.1
391	4.4	4.8	4.9	5.2
431	4.6	5.0	5.1	5.4
471	5.0	5.2	5.5	5.8
511	5.2	5.5	5.6	5.9
561	5.4	5.7	5.8	6.1
621	5.5	5.7	5.8	6.1
681	5.6	5.8	5.9	6.2
751	5.8	6.0	6.1	6.4
781	6.0	6.3	6.4	6.7
821	6.3	6.5	6.6	6.9
911		6.6	6.7	7.0
102		7.0	7.1	7.4
112		7.4	7.5	7.9
122			7.7	9.1
142			8.7	9.1
152			9	9
162			9.7	9.9
182			9.7	10.1

Please visit our website to get more update data, those data & specification are subject to change without notice.

Zinc Oxide Varistors – JVA

ZINC OXIDE VARISTOR 07D											
Specs	Varistor Voltage (V1.0mA)	Max. Allowable Voltage		Max. Clamping Voltage		Max. Peak Current (8/20us)		Maximum Energy (10/100us)		Rated Power	Cap. (max)
		ACrms	DC	Vc	Ip	General	Hi-energy	General	Hi-energy		
	Volts	Volts	Volts	Volts	Amps	Watts	Amps	Joules	Joules	Watts	pF@1kHz
07D180K	16.2~19.8	11	14	36	2.5	250 / 125x2	500 / 250x2	0.9	2.0	0.02	2800
07D220K	19.8~24.2	14	18	43				1.1	2.4		2300
07D270K	24.3~29.7	17	22	53				1.4	3.0		1800
07D330K	29.7~36.3	20	26	65				1.7	3.5		1500
07D390K	35.1~42.9	25	31	77				2.1	4.0		1300
07D470K	42.3~51.7	30	38	93				2.5	5.0		1100
07D560K	50.4~61.6	35	45	110				3.1	6.0		890
07D680K	61.2~74.8	40	56	135				3.6	7.0		740
07D820K	73.8~90.2	50	65	135	10	1200 / 600x2	1750 / 1200x2	5.5	10.0	0.25	600
07D101K	90~110	60	85	165				6.5	12		500
07D121K	108~132	75	100	200				7.8	13		420
07D151K	135~165	95	125	250				9.7	15		330
07D181K	162~198	115	150	300				11.7	16		280
07D201K	180~220	130	170	340				13	17		250
07D221K	198~242	140	180	360				14	19		230
07D241K	216~264	150	200	395				15	21		210
07D271K	243~297	175	225	455				18	24		185
07D301K	270~330	190	250	505				20	26		165
07D331K	297~363	210	275	545				23	28		150
07D361K	324~396	230	300	595				24	32		140
07D391K	351~429	250	320	650				26	35		130
07D431K	387~473	275	350	710				28	40		115
07D471K	423~517	300	385	775				29	42		105
07D511K	459~561	320	415	845				31	45		100
07D561K	504~616	350	460	930	35	49	90				
07D621K	558~682	385	505	1020	38	55	80				
07D681K	612~748	420	560	1120	42	60	75				
07D751K	675~825	460	615	1240	45	64	70				
07D781K	702~858	485	640	1290	48	69	65				
07D821K	738~902	510	670	1355	52	73	60				

Please visit our website to get more update data, those data & specification are subject to change without notice.

Zinc Oxide Varistors – JVA

ZINC OXIDE VARISTOR 10D											
Specs	Varistor Voltage (V1.0mA)	Max. Allowable Voltage		Max. Clamping Voltage		Max. Peak Current (8/20us)		Maximum Energy (10/100us)		Rated Power	Cap. (max)
		ACrms	DC	Vc	Ip	General	Hi-energy	General	Hi-energy		
	Volts	Volts	Volts	Volts	Amps	Watts	Amps	Joules	Joules	Watts	pF@1kHz
10D180K	16.2~19.8	11	14	36	5	500 / 250x2	1000 / 500x2	2.1	3.0	0.05	5600
10D220K	19.8~24.2	14	18	43				2.5	5.0		4500
10D270K	24.3~29.7	17	22	53				3.0	6.0		3700
10D330K	29.7~36.3	20	26	65				4.0	7.0		3000
10D390K	35.1~42.9	25	31	77				4.6	9.0		2400
10D470K	42.3~51.7	30	38	93				5.5	11		2100
10D560K	50.4~61.6	35	45	110				7.0	13		1800
10D680K	61.2~74.8	40	56	135				8.2	15		1500
10D820K	73.8~90.2	50	65	135	25	2500 / 1250x2	3500 / 2500x2	12	17	0.40	1200
10D101K	90~110	60	85	165				15	18		1000
10D121K	108~132	75	100	200				18	21		830
10D151K	135~165	95	125	250				22	25		670
10D181K	162~198	115	150	300				27	30		560
10D201K	180~220	130	170	340				30	35		500
10D221K	198~242	140	180	360				32	39		450
10D241K	216~264	150	200	395				35	42		420
10D271K	243~297	175	225	455				37	49		370
10D301K	270~330	190	250	505				40	54		330
10D331K	297~363	210	275	545				43	58		300
10D361K	324~396	230	300	595				47	65		280
10D391K	351~429	250	320	650				60	70		260
10D431K	387~473	275	350	710				65	80		230
10D471K	423~517	300	385	775				67	85		210
10D511K	459~561	320	415	845				69	90		200
10D561K	504~616	350	460	930				70	92		180
10D621K	558~682	385	505	1020				72	95		160
10D681K	612~748	420	560	1120				75	98		150
10D751K	675~825	460	615	1240				77	100		130
10D781K	702~858	485	640	1290				80	105		125
10D821K	738~902	510	670	1355				85	110		120
10D911K	819~1001	550	745	1500				93	130		110
10D102K	900~1100	625	825	1650				102	140		100
10D112K	990~1210	680	895	1815	115	155	90				

Please visit our website to get more update data, those data & specification are subject to change without notice.

Zinc Oxide Varistors – JVA

ZINC OXIDE VARISTOR 14D											
Specs	Varistor Voltage (V1.0mA)	Max. Allowable Voltage		Max. Clamping Voltage		Max. Peak Current (8/20us)		Maximum Energy (10/100us)		Rated Power	Cap. (max)
		ACrms	DC	Vc	Ip	General	Hi-energy	General	Hi-energy		
		Volts	Volts	Volts	Amps	Watts	Amps	Joules	Joules		
14D180K	16.2~19.8	11	14	36	10	1000 / 500x2	2000 / 1000x2	4	7	0.10	11100
14D220K	19.8~24.2	14	18	43				5	8		9100
14D270K	24.3~29.7	17	22	53				6	10		7400
14D330K	29.7~36.3	20	26	65				7.5	12		6100
14D390K	35.1~42.9	25	31	77				8.6	13		5100
14D470K	42.3~51.7	30	38	93				10	17		4300
14D560K	50.4~61.6	35	45	110				11	20		3600
14D680K	61.2~74.8	40	56	135				14	24		2900
14D820K	73.8~90.2	50	65	135	50	4500 / 2500x2	6000 / 4500x2	22	27	0.60	2400
14D101K	90~110	60	85	165				28	33		2000
14D121K	108~132	75	100	200				32	40		1700
14D151K	135~165	95	125	250				40	53		1300
14D181K	162~198	115	150	300				50	60		1100
14D201K	180~220	130	170	340				57	70		1000
14D221K	198~242	140	180	360				60	78		900
14D241K	216~264	150	200	395				63	84		830
14D271K	243~297	175	225	455				70	99		740
14D301K	270~330	190	250	505				77	108		670
14D331K	297~363	210	275	545				85	115		610
14D361K	324~396	230	300	595				93	130		560
14D391K	351~429	250	320	650				100	140		510
14D431K	387~473	275	350	710				115	155		460
14D471K	423~517	300	385	775				118	175		430
14D511K	459~561	320	415	845				121	180		390
14D561K	504~616	350	460	930				125	185		360
14D621K	558~682	385	505	1020				128	190		320
14D681K	612~748	420	560	1120				130	200		290
14D751K	675~825	460	615	1240				143	210		270
14D781K	702~858	485	640	1290				148	220		260
14D821K	738~902	510	670	1355				157	235		240
14D911K	819~1001	550	745	1500				175	255		220
14D102K	900~1100	625	825	1650				190	280		200
14D112K	990~1210	680	895	1815	213	310	180				
14D122K	1080~1320	750	990	1980	232	324	160				
14D182K	1620~1980	1100	1465	2970	250	335	130				

Please visit our website to get more update data, those data & specification are subject to change without notice.

Zinc Oxide Varistors – JVA

ZINC OXIDE VARISTOR 20D											
Specs	Varistor Voltage (V1.0mA)	Max. Allowable Voltage		Max. Clamping Voltage		Max. Peak Current (8/20us)		Maximum Energy (10/100us)		Rated Power	Cap. (max)
		ACrms	DC	Vc	Ip	General	Hi-energy	General	Hi-energy		
		Volts	Volts	Volts	Amps	Watts	Amps	Joules	Joules		
20D180K	16.2~19.8	11	14	36	20	2000 / 1000x2	3000 / 2000x2	11	13	0.20	28500
20D220K	19.8~24.2	14	18	43				14	16		18500
20D270K	24.3~29.7	17	22	53				16	19		13000
20D330K	29.7~36.3	20	26	65				23	24		11500
20D390K	35.1~42.9	25	31	77				26	28		8500
20D470K	42.3~51.7	30	38	93				30	34		7400
20D560K	50.4~61.6	35	45	110				38	44		6500
20D680K	61.2~74.8	40	56	135				41	49		5800
20D820K	73.8~90.2	50	65	135	100	6500 / 4500x2	10000 / 6500x2	45	56	1.00	4900
20D101K	90~110	60	85	165				50	70		4000
20D121K	108~132	75	100	200				55	85		3300
20D151K	135~165	95	125	250				70	106		2700
20D181K	162~198	115	150	300				85	130		2200
20D201K	180~220	130	170	340				95	140		2000
20D221K	198~242	140	180	360				100	155		1800
20D241K	216~264	150	200	395				108	168		1650
20D271K	243~297	175	225	455				127	190		1500
20D301K	270~330	190	250	505				136	210		1300
20D331K	297~363	210	275	545				150	228		1200
20D361K	324~396	230	300	595				163	255		1100
20D391K	351~429	250	320	650				180	275		1000
20D431K	387~473	275	350	710				190	305		930
20D471K	423~517	300	385	775				204	350		850
20D511K	459~561	320	415	845				210	360		780
20D561K	504~616	350	460	930				215	380		710
20D621K	558~682	385	505	1020				224	390		650
20D681K	612~748	420	560	1120				230	400		600
20D751K	675~825	460	615	1240				255	420		530
20D781K	702~858	485	640	1290				265	440		510
20D821K	738~902	510	670	1355				282	460		500
20D911K	819~1001	550	745	1500				310	510		440
20D102K	900~1100	625	825	1650				342	565		400
20D112K	990~1210	680	895	1815	383	620	360				
20D122K	1080~1320	750	990	1980	408	660	350				
20D182K	1620~1980	1100	1465	2970	625	990	320				

Please visit our website to get more update data, those data & specification are subject to change without notice.

Zinc Oxide Varistors – JVA

SAFETY CERTIFICATION

Certificate Authority	Certificate No.	07D	10D	14D	20D
CUL (Canada)	E518475	180K, 220K, 270K, 330K, 390K, 470K, 560K, 680K, 181K, 201K, 221K, 241K, 271K, 301K, 331K, 361K, 391K, 431K, 471K, 511K, 561K, 621K, 681K, 751K, 781K, 821K	180K, 220K, 270K, 330K, 390K, 470K, 560K, 680K, 820K, 101K, 121K, 151K, 181K, 201K, 221K, 241K, 271K, 301K, 331K, 361K, 391K, 431K, 471K, 511K, 561K, 621K, 681K, 751K, 781K, 821K, 911K, 102K, 112K	180K, 220K, 270K, 330K, 390K, 470K, 560K, 680K, 820K, 101K, 121K, 151K, 181K, 201K, 221K, 241K, 271K, 301K, 331K, 361K, 391K, 431K, 471K, 511K, 561K, 621K, 681K, 751K, 781K, 821K, 911K, 102K, 112K, 122K, 142K, 152K, 162K, 182K	180K, 220K, 270K, 330K, 390K, 470K, 560K, 680K, 820K, 101K, 121K, 151K, 181K, 201K, 221K, 241K, 271K, 301K, 331K, 361K, 391K, 431K, 471K, 511K, 561K, 621K, 681K, 751K, 781K, 821K, 911K, 102K, 112K, 122K, 142K, 152K, 162K, 182K
UL (USA)	E518475	180K, 220K, 270K, 330K, 390K, 470K, 560K, 680K, 181K, 201K, 221K, 241K, 271K, 301K, 331K, 361K, 391K, 431K, 471K, 511K, 561K, 621K, 681K, 751K, 781K, 821K	180K, 220K, 270K, 330K, 390K, 470K, 560K, 680K, 820K, 101K, 121K, 151K, 181K, 201K, 221K, 241K, 271K, 301K, 331K, 361K, 391K, 431K, 471K, 511K, 561K, 621K, 681K, 751K, 781K, 821K, 911K, 102K, 112K	180K, 220K, 270K, 330K, 390K, 470K, 560K, 680K, 820K, 101K, 121K, 151K, 181K, 201K, 221K, 241K, 271K, 301K, 331K, 361K, 391K, 431K, 471K, 511K, 561K, 621K, 681K, 751K, 781K, 821K, 911K, 102K, 112K, 122K, 142K, 152K, 162K, 182K	180K, 220K, 270K, 330K, 390K, 470K, 560K, 680K, 820K, 101K, 121K, 151K, 181K, 201K, 221K, 241K, 271K, 301K, 331K, 361K, 391K, 431K, 471K, 511K, 561K, 621K, 681K, 751K, 781K, 821K, 911K, 102K, 112K, 122K, 142K, 152K, 162K, 182K
VDE (Germany)	40052643	180K, 220K, 270K, 330K, 390K, 470K, 560K, 680K, 820K, 101K, 121K, 151K, 181K, 201K, 221K, 241K, 271K, 301K, 331K, 361K, 391K, 431K, 471K, 511K, 561K, 621K, 681K, 751K, 781K, 821K	180K, 220K, 270K, 330K, 390K, 470K, 560K, 680K, 820K, 101K, 121K, 151K, 181K, 201K, 221K, 241K, 271K, 301K, 331K, 361K, 391K, 431K, 471K, 511K, 561K, 621K, 681K, 751K, 781K, 821K, 911K, 102K, 112K	180K, 220K, 270K, 330K, 390K, 470K, 560K, 680K, 820K, 101K, 121K, 151K, 181K, 201K, 221K, 241K, 271K, 301K, 331K, 361K, 391K, 431K, 471K, 511K, 561K, 621K, 681K, 751K, 781K, 821K, 911K, 102K, 112K, 122K	N/A

Please visit our website to get more update data, those data & specification are subject to change without notice.